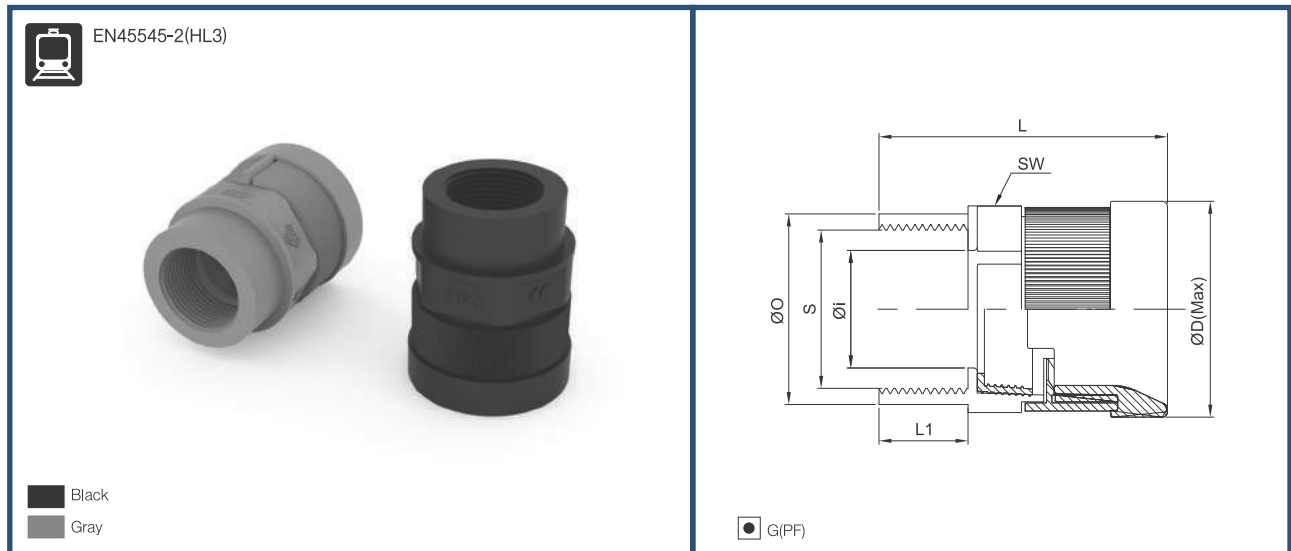


PIPC IP68



- Material : High Quality Polyamide 6
- Degrees of Protection : IP 68 (EN 60529)
- The max. Instantaneous Temperature : -40°C to +105°C
- Short Term : up to +150° C
- Self-Extinguishing : UL94-HB / Free of Halogen Phosphorous and cadmium
- Color : Black & Gray
- Application : Machine tool, Shipbuilding, Tramway, Industrial / Automatic Machinery, Printing Machine etc. Pipe with connector.

» Product size



PF Thread (JIS B0202)

Black	Gray	Thread	Tube Size	S	L1	L	Øi	ØO	ØD	SW
PIPC-G16B	PIPC-G16G	G1/2"	16	18,6	13,8	45,7	15,2	28,0	33,0	28,0
PIPC-G22B	PIPC-G22G	G3/4"	22	24,1	15,0	54,7	22,0	35,0	43,0	37,5
PIPC-G28B	PIPC-G28G	G1"	28	30,2	15,0	62,7	27,0	41,5	48,8	43,0
PIPC-G36B	PIPC-G36G	G1 1/4"	36	38,9	29,0	84,7	33,0	53,0	60,6	52,2
PIPC-G42B	PIPC-G42G	G1 1/2"	48	44,8	29,0	89,1	40,8	66,0	71,8	64,0
PIPC-G48B	PIPC-G48G	G2"	48	56,6	29,0	89,1	50,0	66,0	71,8	64,0

(Dimensions in mm)

